

touchCUE-5-B

Wired Built-In Touch Panel 4.3"



Description

The touchCUE-5-B is wired built-in touch panel offering clean modern design with edge-to-edge front glass and sleek aluminium body. It is ideal front-end for any wall, lectern or furniture built-in applications. Fully compatible with CUE controllers and interfaces, this touch panel provides the ultimate one-touch solution for meeting rooms, conference rooms, boardrooms and high-tech homes.

The 4.3" IPS touch screen display offers resolution 800 x 480 pixels and it produces stunning true color images. Touch panel has projected capacitive touch overlay. Single cable Ethernet connection provides easy network integration. The touch panel is equipped with Power over Ethernet (PoE) technology enabling an Ethernet network cable to deliver both data and power.

The touch panel installs easily over a 1-gang standard European/UK electrical box. It can also be attached directly to drywall and other surfaces over the front of cutout. When installed it protrudes only 11 mm from the mounting surface.

Application Diagrams

The following diagram describes the use of touch panel with controller and IP interfaces. In this case the touch panel serves as graphic user interface only.



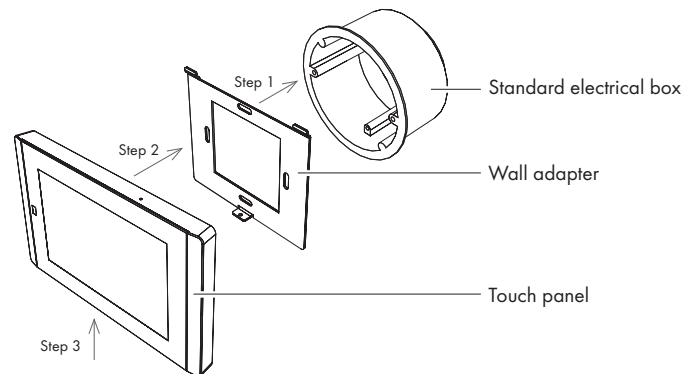
Main Features

- Edge-to-edge front glass
- Slim aluminium unibody enclosure
- 4.3" IPS touch screen display with wide viewing angles
- Resolution 800 x 480 pixels
- Pixel density 217 ppi
- Display colors 32-bit (True Color)
- Projected capacitive touch overlay
- Video preview
- Single cable Ethernet connection
- Power over Ethernet power supply
- Built-in microphone, speakers, light and motion sensors
- Compatible with European/UK 1-gang electrical boxes
- No special back box needed

Installation

Installation is provided in the following steps

1. Install wall adapter to wall box using two screws.
2. Install touch panel on wall adapter.
3. Fix touch panel to wall adapter using screw.



The following diagram describes the use of touch panel with IP interfaces only. This configuration allows to create cost effective distributed control solution where touch panel serves as controller and graphic user interface in one box. In Cue Visual Composer touch panels and controllers are programmed in the same way, which makes possible to use touch panels as fully functional control units.



touchCUE-5-B

Wired Built-In Touch Panel 4.3"



Specifications

Touch-screen display

- Color IPS LCD with LED backlight
- Size 4.3" / 109 mm diagonal, wide screen
- Resolution 800 x 480 pixels (WVGA)
- Display colors 32-bit (True Color)
- Transparency 8-bit Alpha blending
- White luminance 600 cd/m²
- Response time 40 ms
- Contrast ratio 1000 : 1
- Pixel pitch 0.117 x 0.117 mm
- Pixel density 217 ppi
- Viewing angle $\pm 80^\circ$ horizontal, $\pm 80^\circ$ vertical
- Projected capacitive touch overlay
- Edge-to-edge glass

Built-in sensors

- Light sensor for automatic backlight dimming
- Motion sensor for automatic backlight switching on

Buttons

- System Default

Memory

- 256 MB RAM
- microSD Card min. 4 GB

Software

- XPL² runtime for application created in Cue Visual Composer
- Admin Web for setup

Video

- Streaming video preview
- Formats: MJPEG, H.264

Audio

- Built-in microphone
- Built-in speakers

Wired communication

- 10/100 BaseT LAN, RJ-45 connector

Power supply

- Power over Ethernet (PoE), IEEE 802.3af compatible

Physical

- Sleek aluminium body, edge-to-edge front glass
- Compatible with standard European/UK 1-gang electrical boxes
- Dimensions 136 x 81 x 37 mm / 5.4" x 3.2" x 1.5"
- Weight 0.3 kg / 0.7 lb

Environment conditions

- Operating temperature 10° to 40° C
- Storage temperature 0° to 60° C
- Relative humidity 10% to 90% non-condensing

Box Contents

- | | |
|--------------------------------|-----------------------------------|
| Touch panel touchCUE-5-B | Cables |
| Wall adapter incl. screws | Data Sheet |
| Fixing screw | Declaration of Conformity |
| Power supply with PoE injector | Cue System Connector Wiring Sheet |
| Cleaning tissue | |

Order Information

Product code CS0372

Mechanical Description

